



**DATA SHEET
SPIRIT 100Hp
Direct Drive**

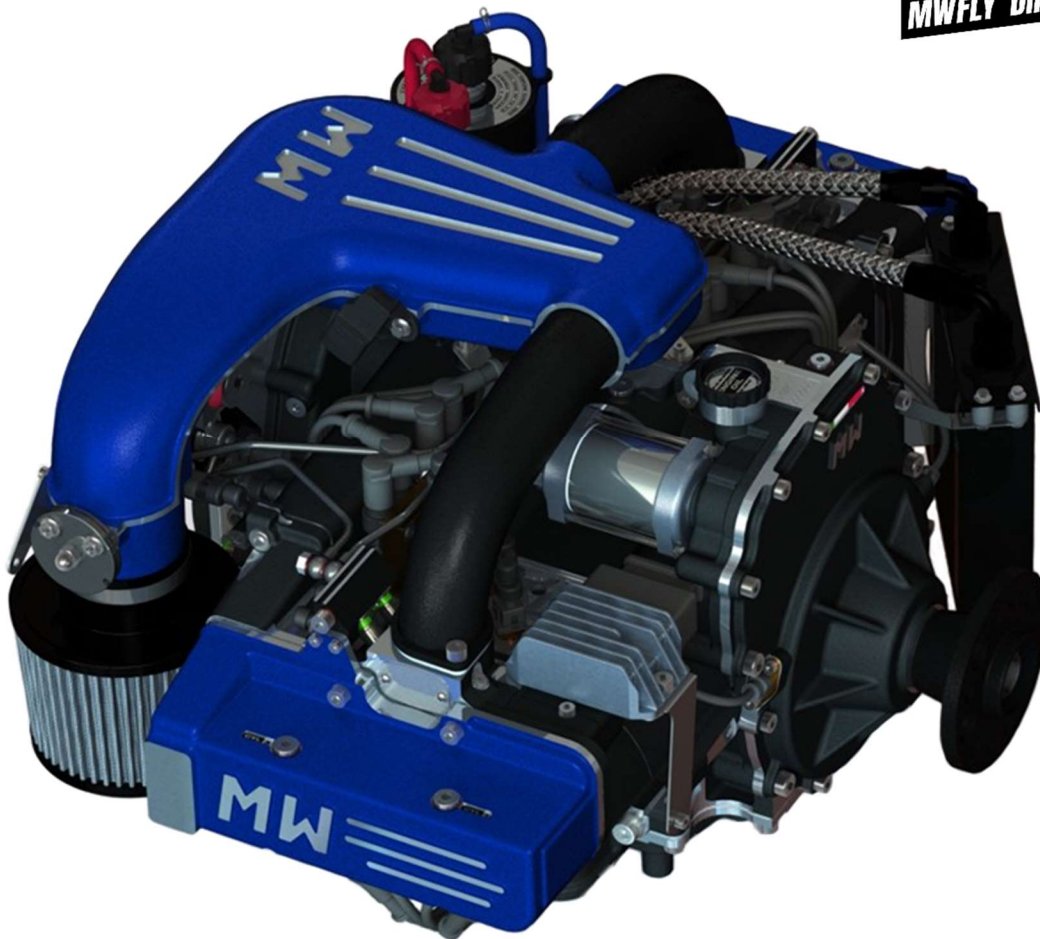
Document
E-DTD.W011.001

Edition
A

Revision
1

SPIRIT 100 DIRECT DRIVE

SPIRIT100
SKY LINE
MWFLY DIRECT DRIVE



Applicability

TRANSLATED

FREE DISCLOSURE

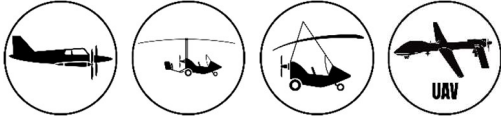
Page 1 of 7



DATA SHEET SPIRIT 100Hp Direct Drive

Document
E-DTD.W011.001

Edition **A** Revision **1**



Engine data

Model/Code	Spirit 100 Direct Drive / W011 (left rotation) - W012 (right rotation)
Type	4 cylinder boxer - 4 Stroke fuel (Otto cycle)
Displacement [cm ³ (in ³)]	2201 (134)
Weight [Kg (lb)]	81 (178) dry
Dimension L x W x H [mm (in)]	590 x 749 x 419 (23,23 x 29,49 x 16,5)
Stroke X Bore [mm (in)]	81 x 93 (3.18 x 3.66)
Compression Rate	10,3 ÷ 1
Fuel	Mo.GAS min. AKI 90, R.O.N. 95, M.O.N. 85, LL100
Cooling System	Liquid with mechanical pump
Lubrication	Semi-dry sump, pressure oil feed assisted with internal pump
Timing System	2 valves per cylinder with S.O.H.C. (Single Over Head Camshaft)
Timing Driving System	Gear + chain with automatic chain tensioner
Pre-installed Accessories (included in the weight)	Engine wiring loom, voltage regulator, start relay, dampers, ignition coils, cooling expansion tank

Transmission



Electric data

Generator	Permanent magnet, oil cooled, 225W (12,5V-18A)
Optional Generator	750W (12,5V-60A)
Starter	Electric 0,65kW with anti-kickback clutch
F.R.I.S. (Full Redundancy Injector	ECU with dual injection and ignition; altitude and temperature



DATA SHEET SPIRIT 100Hp Direct Drive

Document
E-DTD.W011.001

Edition
A

Revision
1

System)	compensation; Limp home strategy
CAN Data Transmission	CAN Aerospace protocol
Performance	
Max Power [kW (Hp)]	73,5 (100) @ 3400 rpm
Max Torque [Nm (lb-ft)]	218 (160,8) @ 2500 rpm
Max Continuous Power [kW (Hp)]	73,5 (100) @ 3400 rpm
Max Engine Speed [rpm]	3500
Power/Weight [Hp/Kg (Hp/lb)]	1,23 (0,56)
Fuel Cons. [Kg/h (lb/h)]	12,3 (27,1) @ 75Hp
TBO [h]	2200



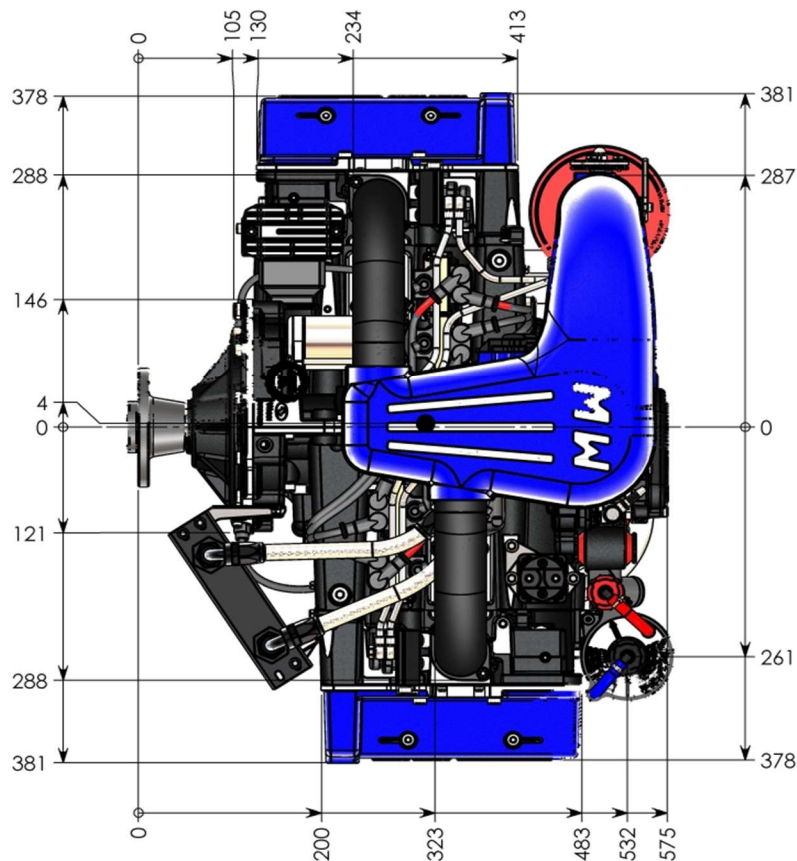
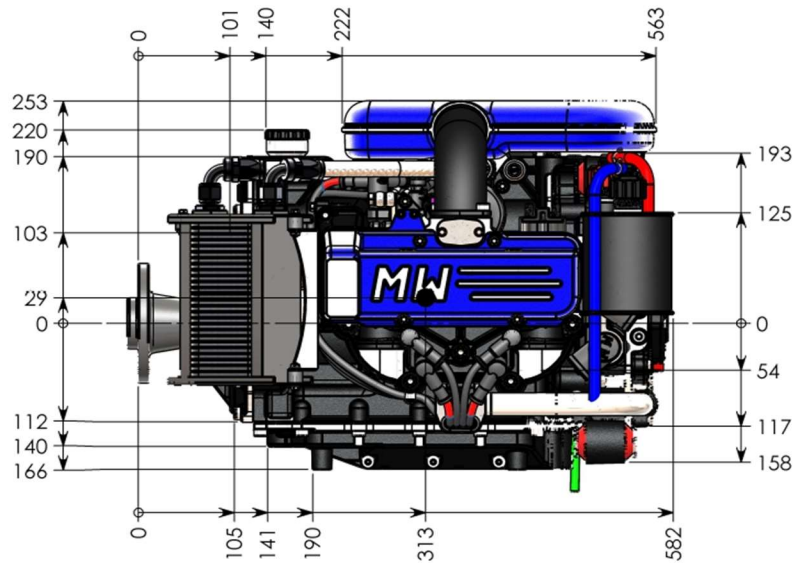
DATA SHEET SPIRIT 100Hp Direct Drive

Document
E-DTD.W011.001

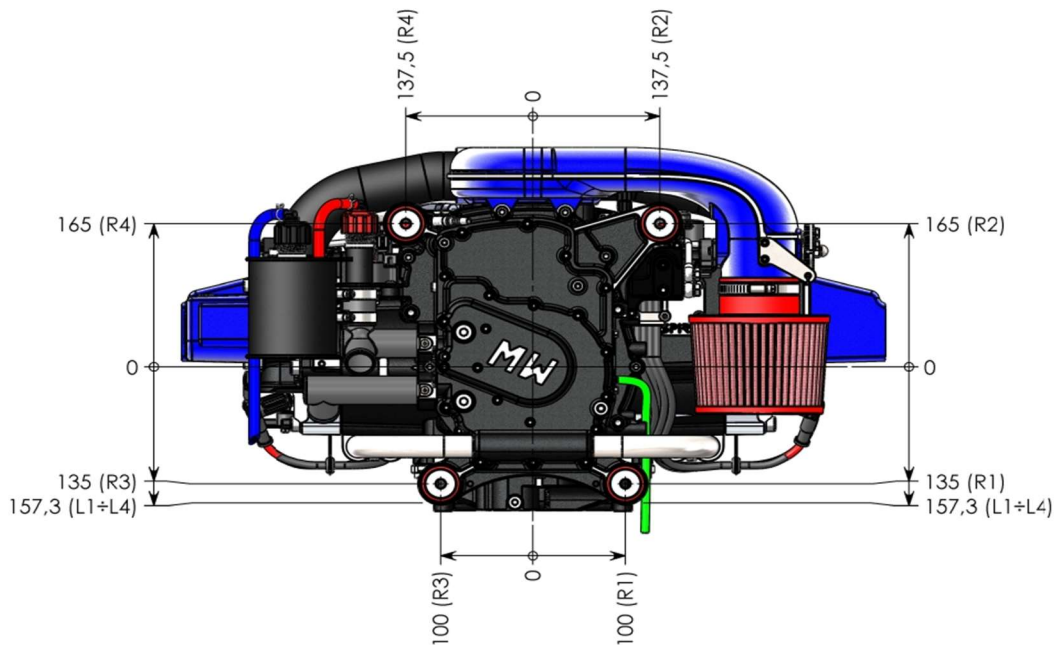
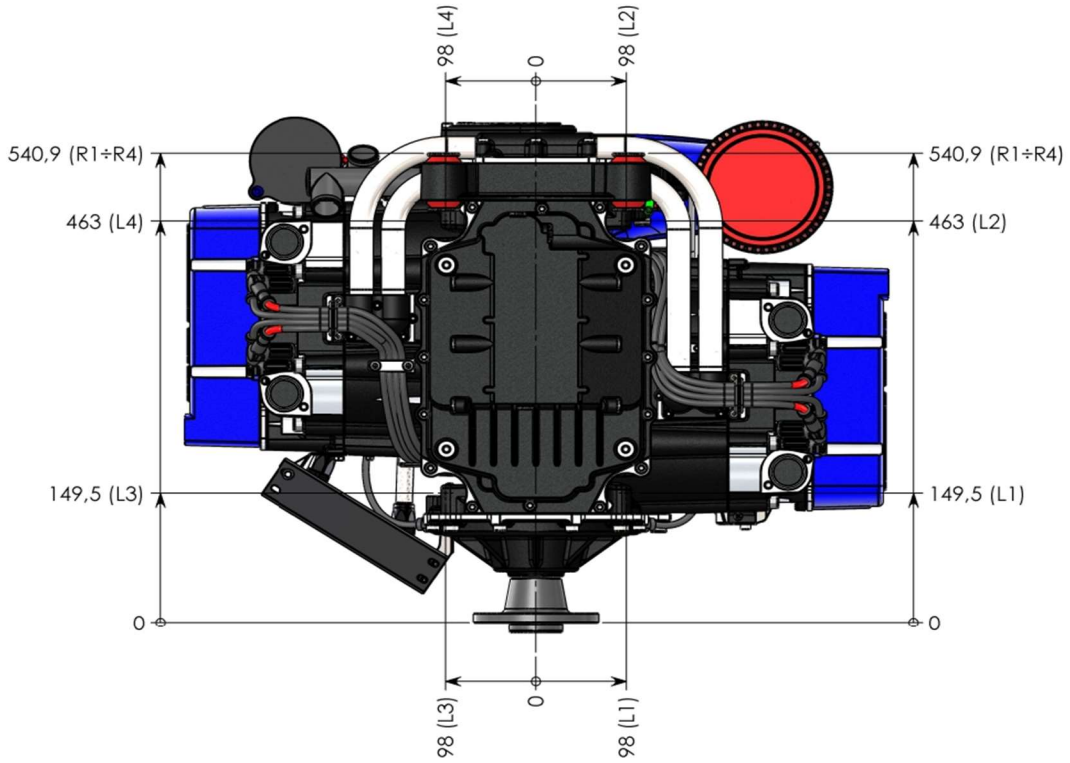
Edition
A

Revision
1

DIMENSIONS



ATTACHMENT POINTS

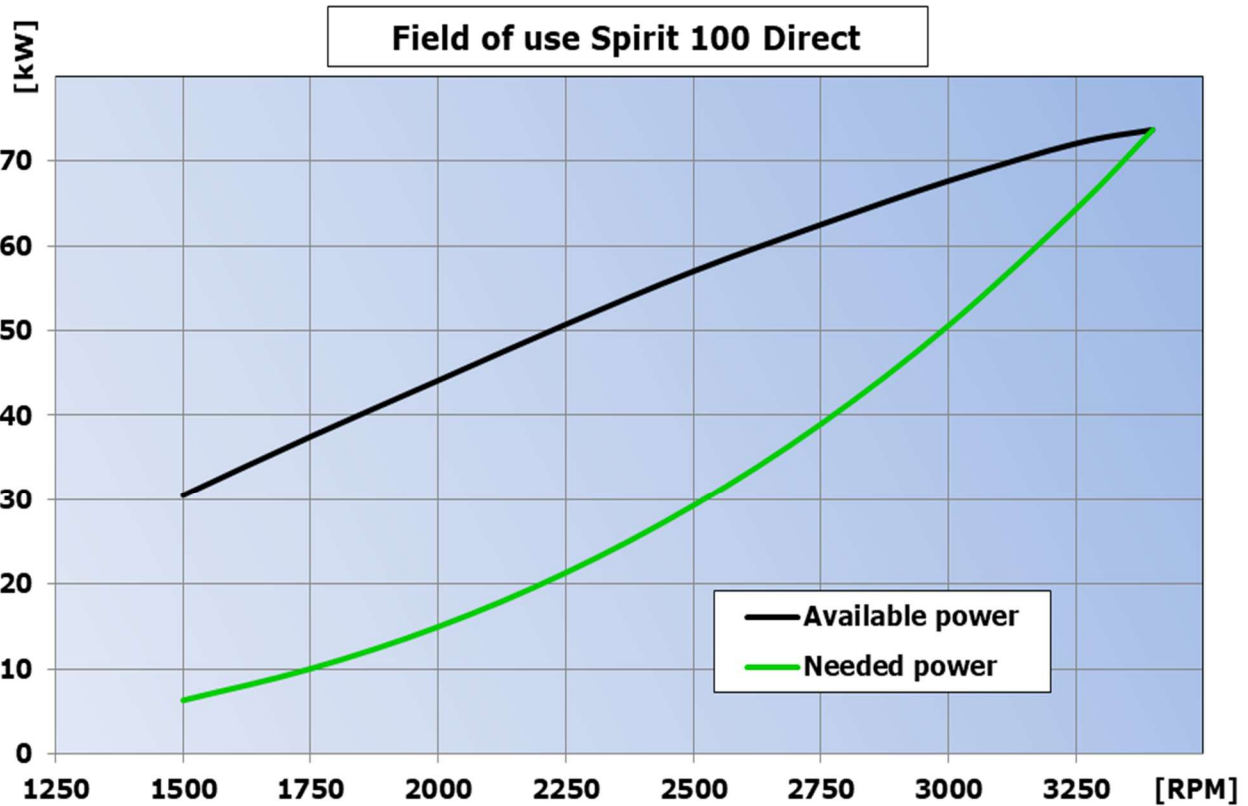
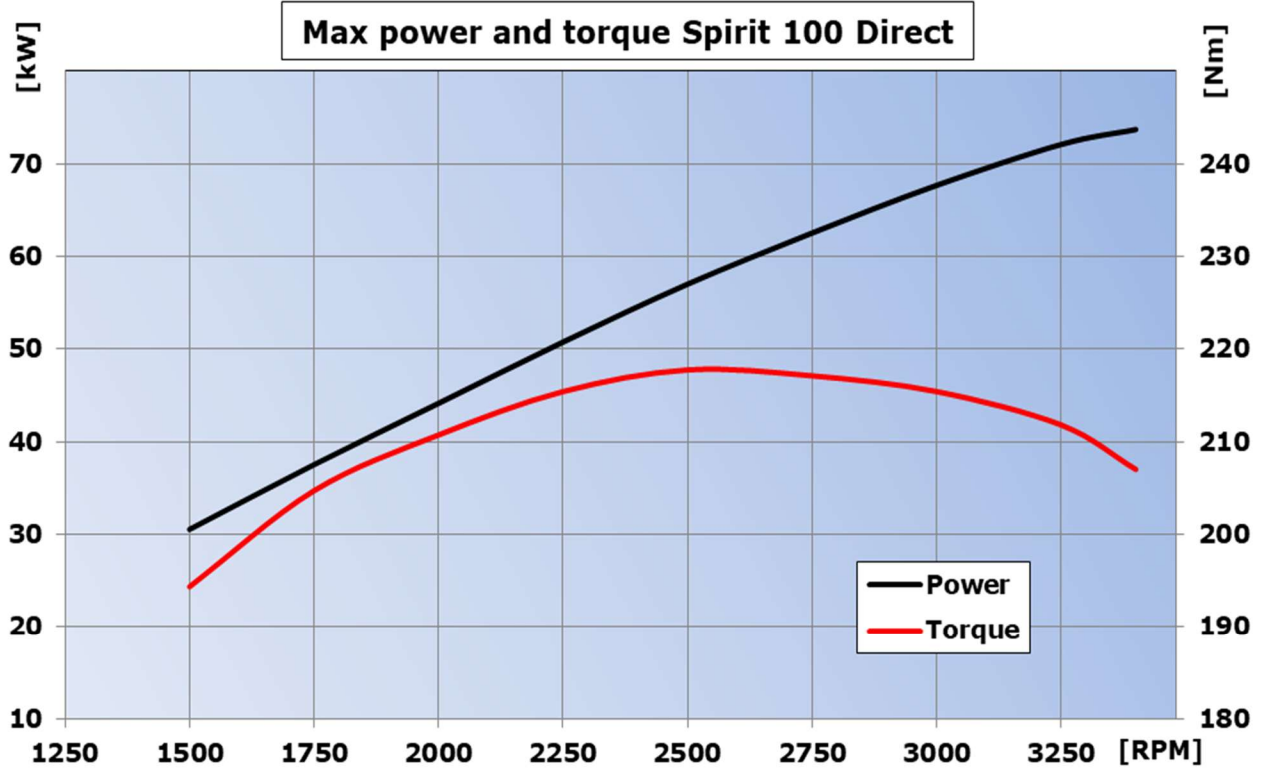




DATA SHEET SPIRIT 100Hp Direct Drive

Document
E-DTD.W011.001

Edition A	Revision 1
---------------------	----------------------





DATA SHEET SPIRIT 100Hp Direct Drive

Document
E-DTD.W011.001

Edition
A

Revision
1

