



**DATA SHEET  
SPIRIT 140Hp  
PSRU**

Document  
**E-DTD.W021.001**

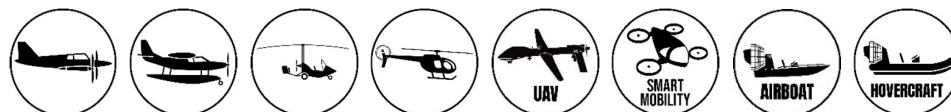
Edition	Revision
<b>A</b>	<b>1</b>

**SPIRIT 140 PSRU**

**SPIRIT140**  
**SKY LINE**  
**MWFLY PSRU**



**Applicability**



**TRANSLATED**

**FREE DISCLOSURE**

Page 1 of 7



# DATA SHEET SPIRIT 140Hp PSRU

Document  
**E-DTD.W021.001**

Edition  
**A**

Revision  
**1**

## Engine data

Model/code	Spirit 140 PSRU / W021 (left rotation) - W022 (right rotation)
Type	4 cylinder boxer - 4 Stroke fuel (Otto cycle)
Displacement [cm <sup>3</sup> (in <sup>3</sup> )]	2545 (155)
Weight [Kg (lb)]	86,5 (190,7) dry
Dimension L x W x H [mm (in)]	673 x 749 x 419 (26,5 x 29,49 x 16,5)
Stroke X Bore [mm (in)]	81 x 100 (3,18 x 3,93)
Compression Rate	10,1 ÷ 1
Fuel	Mo.GAS min. AKI 90, R.O.N. 95, M.O.N. 85, LL100
Cooling System	Liquid with mechanical pump
Lubrication	Semi-dry sump, pressure oil feed assisted with internal pump
Timing System	2 valves per cylinder with S.O.H.C. (Single Over Head Camshaft)
Timing Driving System	Gear + chain with automatic chain tensioner
Pre-installed Accessories (included in the weight)	Engine wiring loom, voltage regulator, start relay, dampers, ignition coils, cooling expansion tank

## Transmission



Type	Gearbox with helical gear (separate lubrication)
Transmission Ratio	1 ÷ 1,732
Max Propeller Speed [rpm]	2450
Damper	Elasto-dissipative with Active Damping Control (A.D.C)
Optional	Integrated constant speed hydraulic governor

## Electric data

Generator	Permanent magnet, oil cooled, 260W (12,5V-21A)
Optional Generator	750W (12,5V-60A); 2250W (12,5V-90A); 2250W (25V-180A)
Starter	Electric starter 0,65kW with anti-kickback clutch
F.R.I.S. (Full Redundancy Injector System)	ECU with dual injection and ignition; altitude and temperature compensation; Limp Home strategy
CAN Data Transmission	CAN Aerospace protocol

## Performance

**TRANSLATED**

**FREE DISCLOSURE**

Page 2 of 7



**DATA SHEET  
SPIRIT 140Hp  
PSRU**

Document  
**E-DTD.W021.001**

Edition	Revision
<b>A</b>	<b>1</b>

Max Power [kW (Hp)]	103 (140) @ 4200 rpm
Max Torque [Nm (lb-ft)]	267 (197) @ 3000 rpm
Max Continuous Power [kW (Hp)]	91,9 (125)
Max Engine Speed [rpm]	4250
Power/Weight [Hp/Kg (Hp/lb)]	1,62 (0,73)
Fuel Cons. [Kg/h (lb/h)]	12,6 (27,8) @ 75Hp
TBO [h]	2000



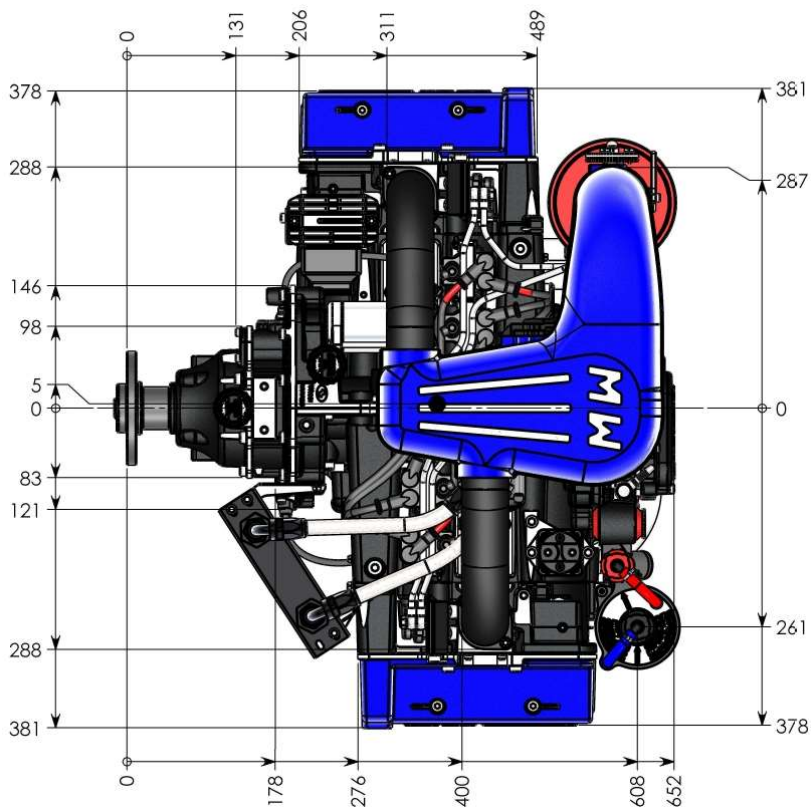
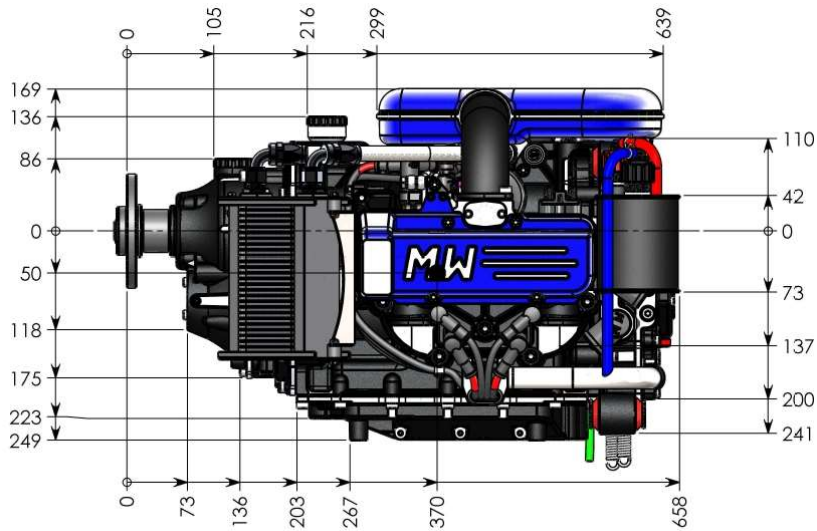
# DATA SHEET SPIRIT 140Hp PSRU

Document  
**E-DTD.W021.001**

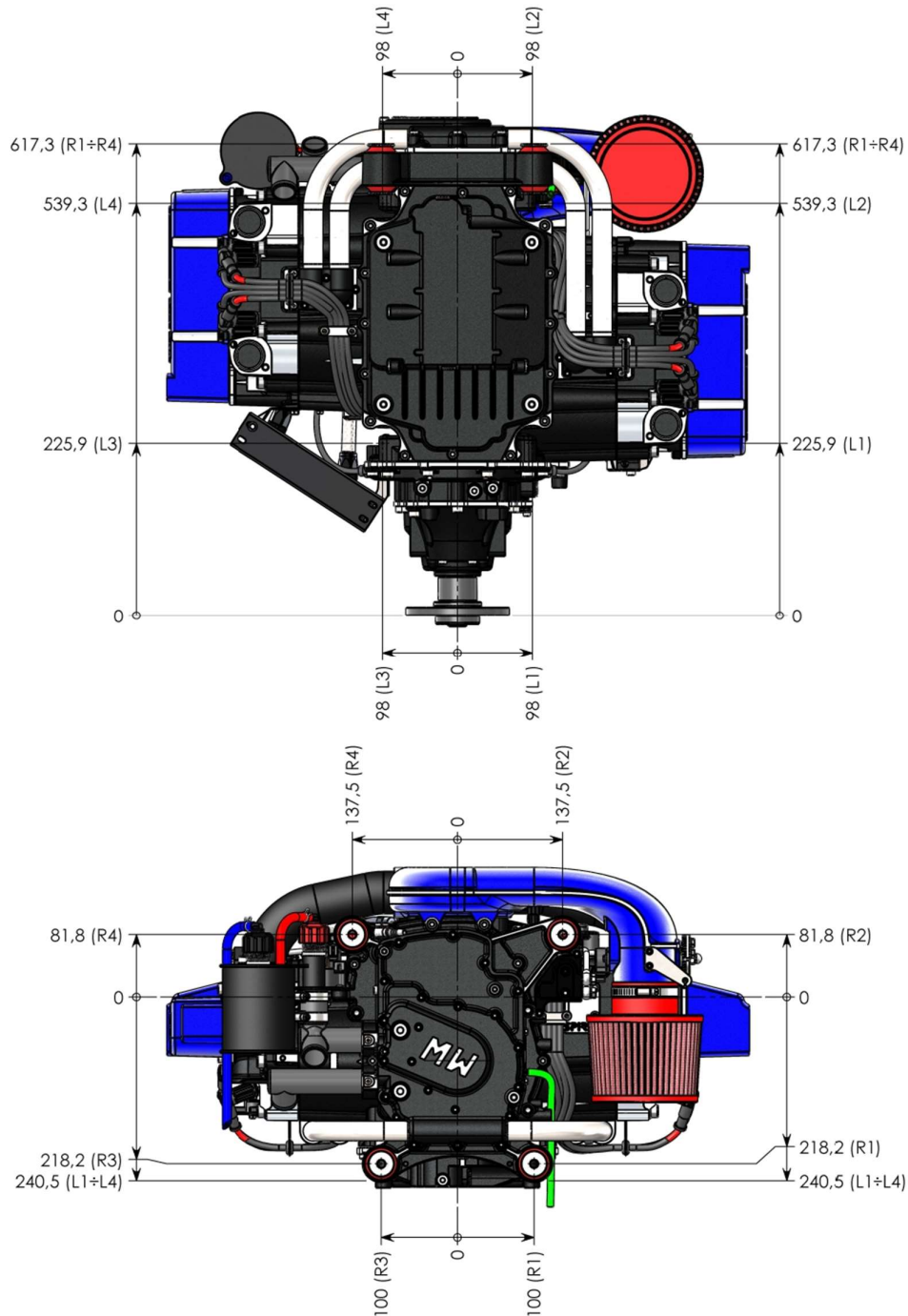
Edition  
**A**

Revision  
**1**

## DIMENSIONS



## ATTACHMENT POINTS

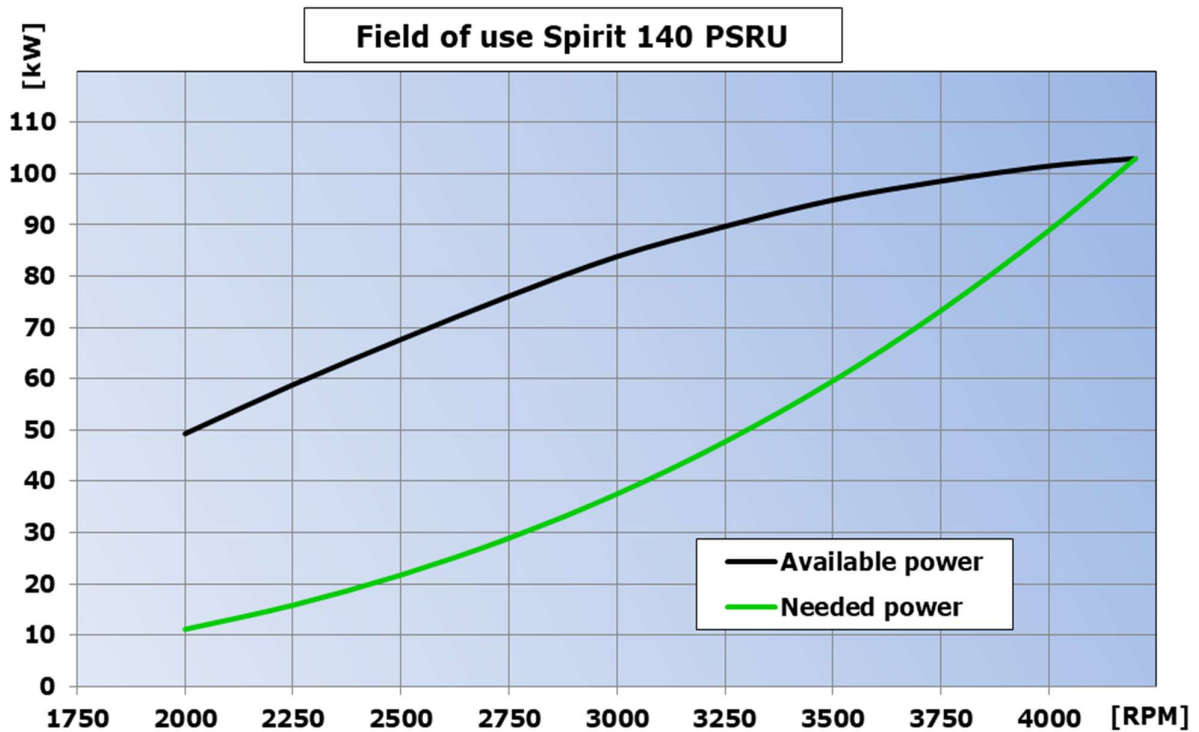
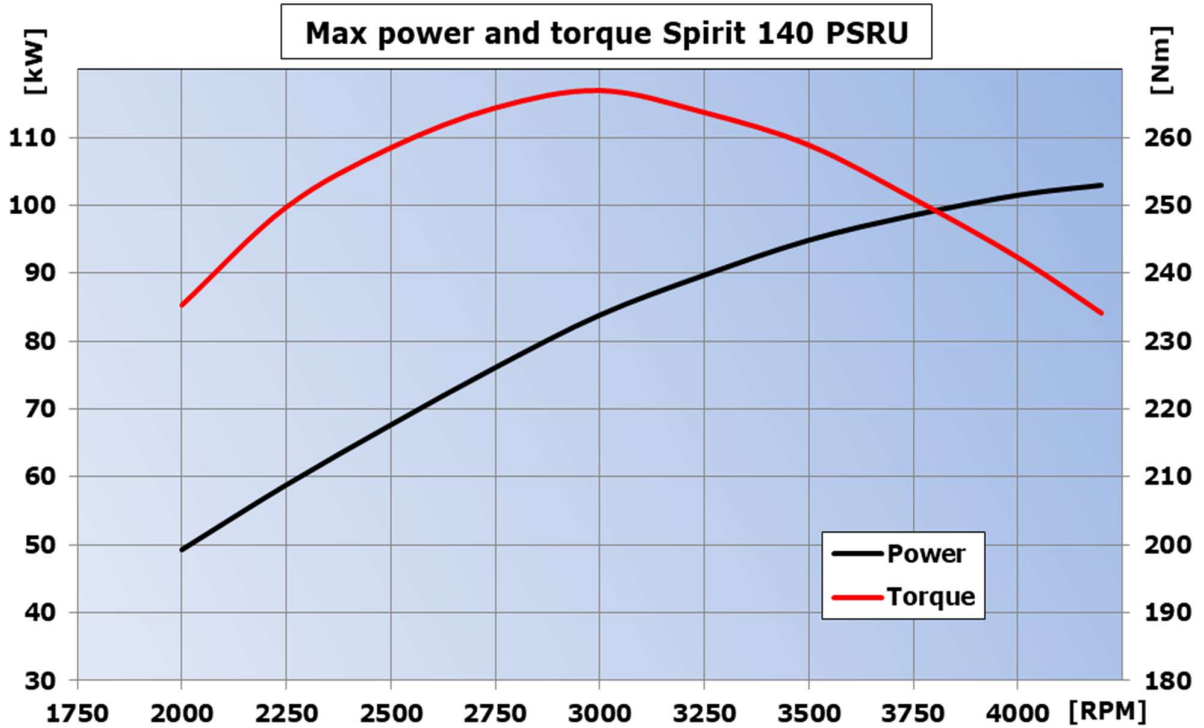




# DATA SHEET SPIRIT 140Hp PSRU

Document  
**E-DTD.W021.001**

Edition	Revision
<b>A</b>	<b>1</b>







# DATA SHEET SPIRIT 140Hp PSRU

Document  
**E-DTD.W021.001**

Edition	Revision
<b>A</b>	<b>1</b>

