



**DATA SHEET
SPIRIT 160Hp
Direct Drive**

Document
E-DTD.W023.001

Edition
A

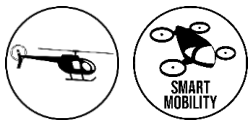
Revision
1

SPIRIT 160 DIRECT DRIVE

SPIRIT160
RED LINE
MWFLY DIRECT DRIVE



Applicability



TRANSLATED

FREE DISCLOSURE

Page 1 of 6



DATA SHEET SPIRIT 160Hp Direct Drive

Document
E-DTD.W023.001

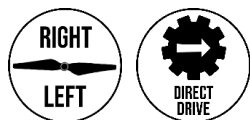
Edition
A

Revision
1

Engine data

Model/Code	Spirit 160 Direct Drive / W023 (left rotation) – W024 (right rotation)
Type	4 cylinder boxer - 4 Stroke fuel (Otto cycle)
Displacement [cm ³ (in ³)]	2545 (155)
Weight [Kg (lb)]	81 (178) dry
Dimension L x W x H [mm (in)]	590 x 749 x 419 (23,23 x 29,49 x 16,5)
Stroke X Bore [mm (in)]	81 x 100 (3,18 x 3,93)
Compression Rate	10,1 ÷ 1
Fuel	Mo.GAS min. AKI 90, R.O.N. 95, M.O.N. 85, LL100
Cooling System	Liquid with mechanical pump
Lubrication	Semi-dry sump, pressure oil feed assisted with internal pump
Timing System	2 valves per cylinder with S.O.H.C. (Single Over Head Camshaft)
Timing Driving System	Gear + chain with automatic chain tensioner
Accessories pre-installed (included in the weight)	Engine wiring loom, voltage regulator, start relay, dampers, ignition coils, cooling expansion tank

Transmission



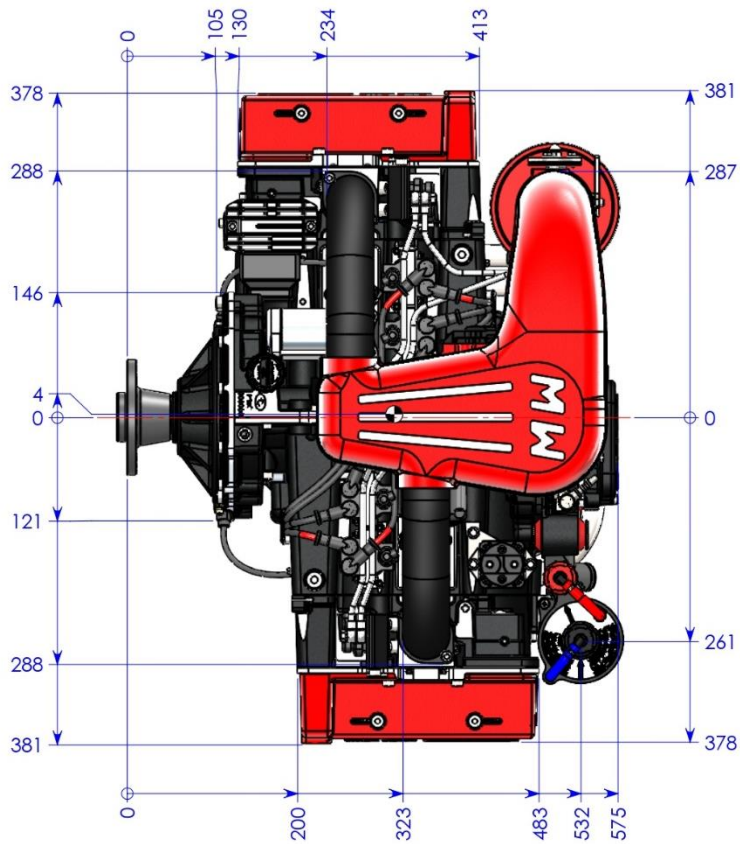
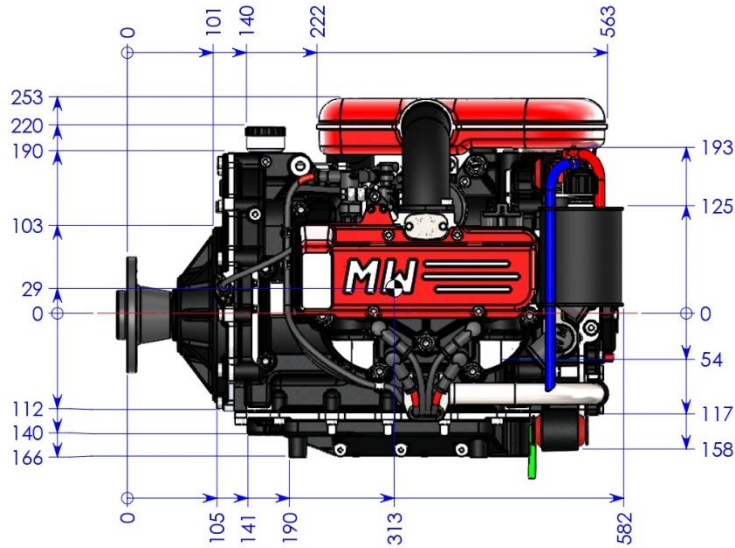
Electric data

Generator	Permanent magnet, oil cooled, 300W (12,5V-24A)
Optional Generator	750W (12,5V-60A)
Starter	Electric starter 0,65kW with anti-kickback clutch
F.R.I.S. (Full Redundancy Injector System)	ECU with dual injection and ignition; altitude and temperature compensation; Limp Home strategy
CAN Data Transmission	CAN Aerospace protocol

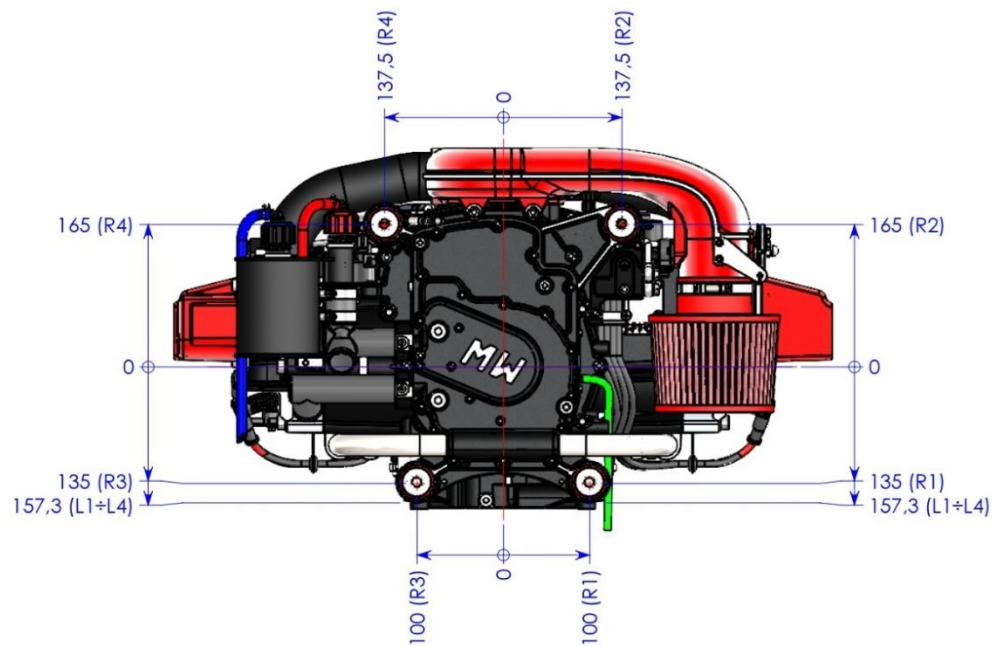
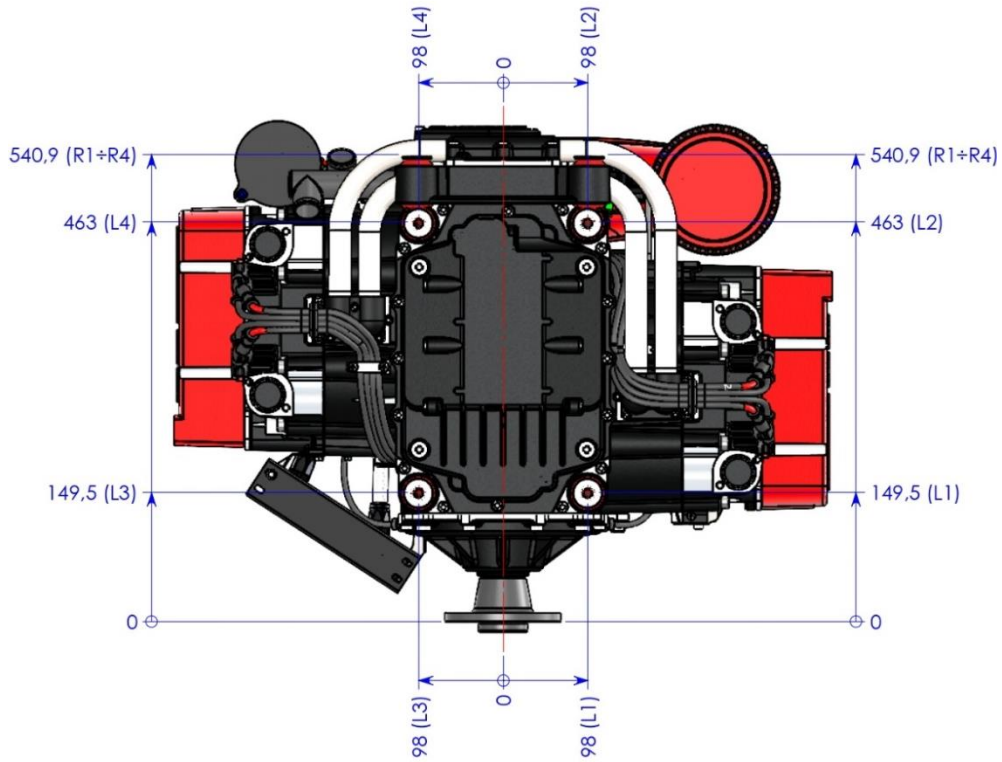
Performance

Max Power [kW (Hp)]	117,7 (160) @ 4700 rpm
Max Torque [Nm (lb-ft)]	267 (196,7) @ 3000 rpm
Max Continuous Power [kW (Hp)]	104,4 (142)
Max Engine Speed [rpm]	4750
Power/Weight [Hp/Kg (Hp/lb)]	1,97 (0,90)
Fuel Cons. [Kg/h (lb/h)]	18,5 (40,8) @ 120Hp (75%)
TBO [h]	1200

DIMENSIONS



ATTACHMENT POINTS





DATA SHEET SPIRIT 160Hp Direct Drive

Document
E-DTD.W023.001

Edition
A

Revision
1

